



24 Adapter (1 - 48 Fiber) Premium Water-resistant Indoor / Outdoor IP65 Rated Wall Mount / Pole Mount Fiber Optic Distribution Enclosure with Wire Management, (4) 6 Fiber Splice Trays, Splice Sleeves, and Locking Door with Key

**Part #: QT-24A-24S-PIOFDB-IP65**



Our QuickTrex 24 Adapter (1 - 48 Fiber) Premium Water-resistant Indoor / Outdoor IP65 Rated Wall Mount / Pole Mount Fiber Optic Distribution Enclosure with Wire Management, (4) 6 Fiber Splice Trays, Splice Sleeves, and Locking Door with Key is perfect for interconnectivity, termination, and splicing of optical fibers in indoor or outdoor harsh environment locations. Its made of PC + ABS material to provide heavy duty UV, waterproof protection of your fiber optic connectors and splices. It is UV resistant and also offers superior crush resistance. It is compatible with standard fiber optic adapters/couplers with a flange. This enclosure includes wire management and also includes a (4) 6 fiber splice trays so you can use it for splicing fiber pig tails or for coupling of pre-terminated fiber optic assemblies and/or patch cables. The enclosure includes an excellent sealing strip and help seal out moisture and dust. This enclosure has varying styles of cable entry exit ports to fit your custom installation. It also includes a lockable door with key help protect from anyone accessing the box. This box is also great for indoor installations such as warehouses and factories where lots of dust and potential contamination takes place.

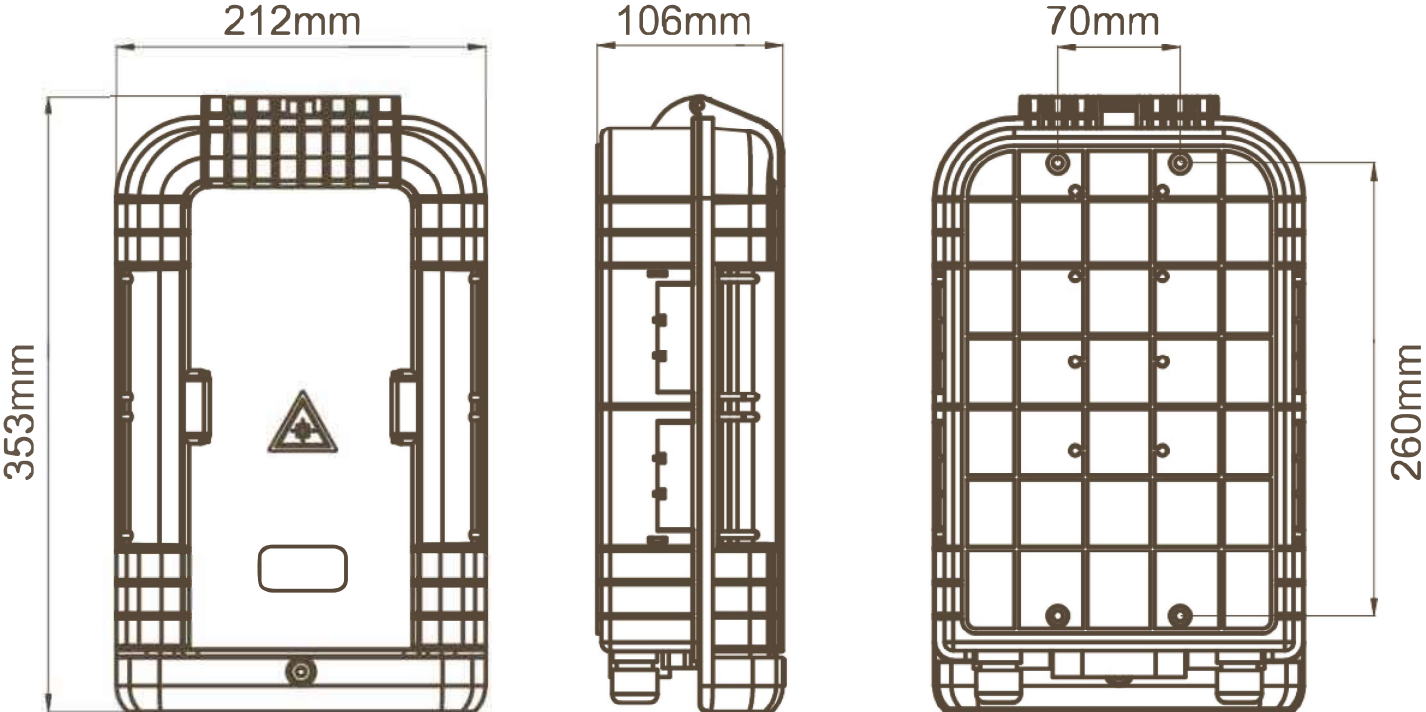
**SPECIFICATIONS**

Dimensions: 13.90 H" 8.35 W x 4.17" D  
 Weight: 5 lbs  
 Fiber Capacity: 1-48 Fibers  
 Spice Trays: (4) 6 Fiber  
 Material: High Quality PC + ABS  
 IP Rating:  
 Color:  
 Cable Entry / Exit: 2 Large Glanded, 2 Large Split Grommet,  
 Work Temperature:  
 Relative Humidity:  
 Atmospheric Pressure: 70Kpa ~ 106Kpa  
 Insulation: Grounding Device Is Insulated with the Termination box, IR ≥1000m 500V (dire  
 Torsion: 50N.m/+90°/1  
 Insulation Resistance: Between the grounding device and the box body, the withstand voltage is over 300OV/Min, no breakdown and flashover. U ≥3000V (direct current)

**INCLUDES**

- Aerial Hanging Brackets
- (4) 6 Fiber Splice Tr
- 24 Splice Sleeves
- 4 Hose Clamps
- Zip Ties

Dimensions



Purchase at

**LANshock**